



- ◆ Longer life
- ◆ Easy cleaning
- ◆ Faster filament changes
- ◆ Self aligning



**Signet Part 40-3340
Modified Molybdenum ELS
Arc Chamber**



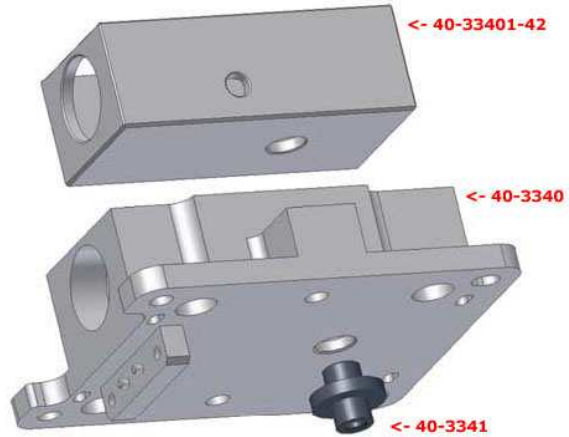
40-3340-42 Box Liner



**Photo of our Signet 40-3340
Arc Chamber after 844
hours.**

**Axcelis - IMPLANTER PARTS
Model GSD ELS Series**

**Signet Box Liner for
Axcelis Ion Implanter**



**Signet Molybdenum Box Liner assembly
for gas and solid source**

Signet offers a modified GSD Arc Chamber designed to accept the Signet Box Liner and Signet Gas Inlet Nozzle. This system reduces the maintenance time and cost when servicing these implanters.

With the Signet design you replace a consumable Box Liner and not the entire, expensive Arc Chamber. The Box Liner fits into a modified Arc Chamber and when assembled maintains the same internal dimensions as the OEM Arc Chamber. The Signet Gas Inlet Nipple is Graphite and mates to the OEM gas line and it extends through the arc chamber and into the box liner. It is a consumable part that extends the life of the Box Liner and replaces the graphite part that mates with the bottom of the OEM Arc Chamber. The added benefit of this system is that the box liner can be removed without removing the Arc Chamber from the source. A cleaned Box liner can be inserted and the source can be put back in service faster.

The Box Liner is available in Gas Only and Gas and Solid Source designs. The Arc Chamber can take both a Box Liner or a 5 piece wrought Tungsten Plate liner for those who would like a wrought Tungsten liner.

Customers report that the box liners are lasting more than 800 hours and the arc chamber holding the box liners are lasting over 3,200 hours.

Signet P/N	Description
40-3340-42	Molybdenum Box Liner, Box Liner, gas only
40-33401-42	Molybdenum Box Liner, Box Liner, gas & solid source
40-3340-74	Tungsten Box Liner, ELS arc chamber
40-3340	Modified Molybdenum ELS arc chamber
40-3341	Gas Inlet Nipple, Graphite

Ref. = Design Alteration of OEM Part