



*Quality and Value  
Through Engineering*

◆ **Varian - VSEA**



# 1 - PN 44-0868 - Alumina



# 2 - PN 40-0868 - Alumina



# 3 - PN 40-8984 - Moly



# 4 - PN 40-9042-2 - Tantalum



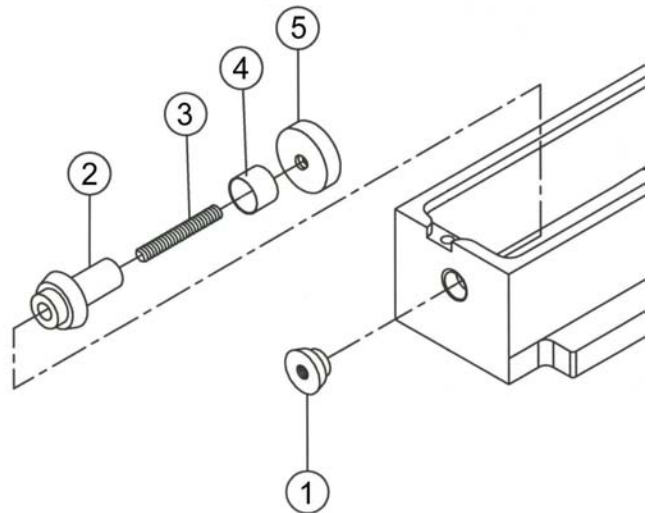
# 5 - PN 40-2760 - Graphite

Note: This repeller assembly is can also be used in the Axcelis GSD Serices equipment. See also the PDS1110GSD data sheet.

**VSEA - IMPLANTER PARTS  
Models E220 and E500 Bernas**

**Signet Repeller Assembly**

**Less Cost than Original OEM Designs**



**Signet Products Kit PN 1110 in VSEA Arc Chamber**

Signet designed this repeller assembly Kit to reduce the overall cost of the assembled parts. The 40-8984 Moly Stud is completely covered inside the Arc Chamber preventing its exposure to the plasma. The OEM designs have parts that are more expensive to fabricate.

Additionally, Signet makes available the BN (#1) in Boron Nitride PN 37-1132 and the Repeller Spacer, BN (#2) in Boron Nitride PN 40-0868-3.

Signet PN	Fnd	Typical OEM Part Numbers	Qty	Description
44-0868	1	E17011320 or E17086860	1	Insulator Bushing, A/C
40-0868	2	E17011320	1	Repeller Insulator Spacer
40-8984	3	E17036980/1 or , E1706630	1	Repeller Stud, 10-32x1 3/32
40-9042-2	4	E17037063 or E17037065	1	Repeller Cup Shield, Ta
40-2760	5	E17036980/1 or , E1706630	1	Repeller Disk, Graphite

- Signet PN 40-2760 replaces OEM PN's E17037063, E1700036980 (moly) and E1706630 (tungsten) repellers.

Ref. = Design Alteration of OEM Part